

# VEE RAY SINGLE PAN GAS FRYER 600mm

GT60

- High performance single pan fish fryer
- Patented infra-red burner system
- Easy clean stainless steel open pan with 10 year limited warranty
- 31L oil capacity
- 2 large or 3 standard basket capacity
- Large capacity cool zone
- 32mm (1 1/4") drain valve
- Rear rollers
- Stainless steel exterior
- Easy service
- Fully modular



GT60

## Overall Construction

- Stainless steel pan with 10 year limited warranty
- Bull nose welded 1.5mm 304 stainless steel
- Splashback 1.2mm 304 stainless steel
- Side panels 1.2mm 304 stainless steel
- Double skin door with 0.9mm 304 stainless exterior
- Vitreous enamelled front panel
- 32mm (1 1/4") drain valve
- 63mm dia. heavy-duty 1.2mm 304 stainless steel adjustable legs at front and two rollers at rear
- 3 standard baskets and stainless steel lid supplied standard

## Controls

- Direct action thermostat reacts to + or - 1.0°C
- Thermostat range 145 - 195°C
- Over-temperature safety cut-out
- Millivolt gas valve system (no electrical supply)
- Flame failure protection on each pilot
- Piezo ignition to standing pilot burners

## Cleaning and Servicing

- Open stainless steel pans for easy clean
- Easy clean basket support bar
- 32mm (1 1/4") drain valve for effective draining
- Easy clean stainless steel exterior
- Access to all parts from front of unit

# VEE RAY SINGLE PAN GAS FRYER 600mm

GT60

## Specifications

### Production rate

31kg/hr

### Pan Size

Width 515mm

Length 380mm

Oil frying depth 95mm

Oil capacity 31L (46.5lbs shortening)

### Baskets

3 chrome plated wire baskets

140mm W x 335mm D x 145mm H

Optional 2 chrome plated large wire baskets

210mm W x 335mm D x 145mm H

Stainless steel perforated basket support plate

### Burners

2 x 45MJ/hr infra-red burners

### Gas Power

90MJ/hr, 25kW

### Gas connection

R 3/4 (BSP) male

Optional rear connection  
(refer specification drawing)

### Dimensions

Width 600mm

Depth 812mm

Height 915mm

Incl. splashback 1085mm

### Nett weight

95kg

### Packing data

0.70m<sup>3</sup>, 143kg

Width 870mm

Depth 645mm

Height 1255mm

### Gas types

Available in Natural gas and LP gas, please specify when ordering

Units supplied complete with gas type conversion kits

Other gas types on request

### Options

Adjustable feet at rear

Filtamax Filtration System

Fish plates

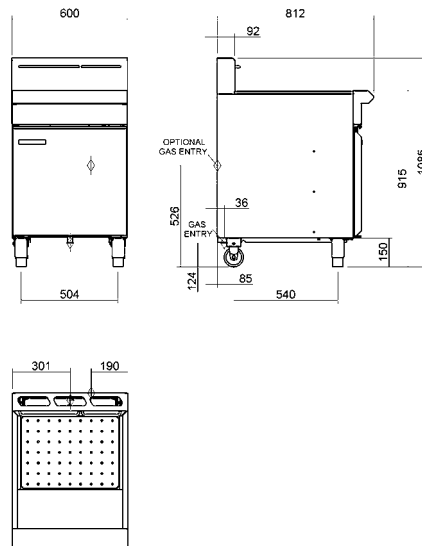
Extra standard baskets

Large baskets

Side splash guards

Joining caps

Castors



[moffat.com.au](http://moffat.com.au)

[moffat.co.nz](http://moffat.co.nz)

### Australia

[moffat.com.au](http://moffat.com.au)

### Moffat Pty Limited

Victoria/Tasmania  
740 Springvale Road  
Mulgrave, Victoria 3170  
Telephone +613-9518 3888  
Facsimile +613-9518 3833  
[vsales@moffat.com.au](mailto:vsales@moffat.com.au)

New South Wales  
Telephone +612-8833 4111  
[nswsales@moffat.com.au](mailto:nswsales@moffat.com.au)  
South Australia  
Telephone +613-9518 3888  
[vsales@moffat.com.au](mailto:vsales@moffat.com.au)

Queensland  
Telephone +617-3630 8600  
[qldsales@moffat.com.au](mailto:qldsales@moffat.com.au)  
Western Australia  
Telephone +618-9413 2400  
[wasales@moffat.com.au](mailto:wasales@moffat.com.au)

### New Zealand

[moffat.co.nz](http://moffat.co.nz)

### Moffat Limited

Rolleston  
45 Illinois Drive  
Izone Business Hub  
Rolleston 7675  
Telephone +64 3-983 6600  
Facsimile +64 3-983 6660  
[sales@moffat.co.nz](mailto:sales@moffat.co.nz)

Auckland  
Telephone +64 9-574 3150  
[sales@moffat.co.nz](mailto:sales@moffat.co.nz)



Cert. No. 6882

In line with policy to continually develop and improve its products, Moffat Limited reserves the right to change specifications and design without notice.

© Copyright Moffat Ltd  
AN.BSE.01.19/1620

an Ali Group Company



The Spirit of Excellence