

CF2

400mm Single Pan Gas Fryer



CF2

- 400mm wide single pan fryer
- 18 litre oil capacity
- 90MJ/hr multi-jet target burner
- 25kg / hr production rate
- Stainless steel open pan (no tubes)
- 30mm drain valve
- Mechanical thermostat
- Manual pilot ignition
- Baskets and lid included
- Adjustable front feet and rear rollers
- Stainless steel finish

OVERALL CONSTRUCTION

- Stainless steel open tank with cool zone
- Stainless steel exterior front and sides
- Vitreous enamelled front panel
- Double skin door with stainless steel outer
- 63mm dia. stainless steel adjustable legs to front and two rollers at rear
- Two nickel plated wire baskets
- Stainless steel lid supplied standard

CONTROLS

- 100-190°C mechanical thermostat
- Over-temperature safety cut-out
- Manual ignition pilot burner with flame failure

CLEANING AND SERVICING

- Open stainless steel pan for easy clean
- Easy clean stainless steel exterior
- 30mm drain valve for effective draining
- Lift off basket hanger
- Access to all parts from front of unit

Matching Products



CW2H



CSP6



CN4



CT9



CW3H



CW1H



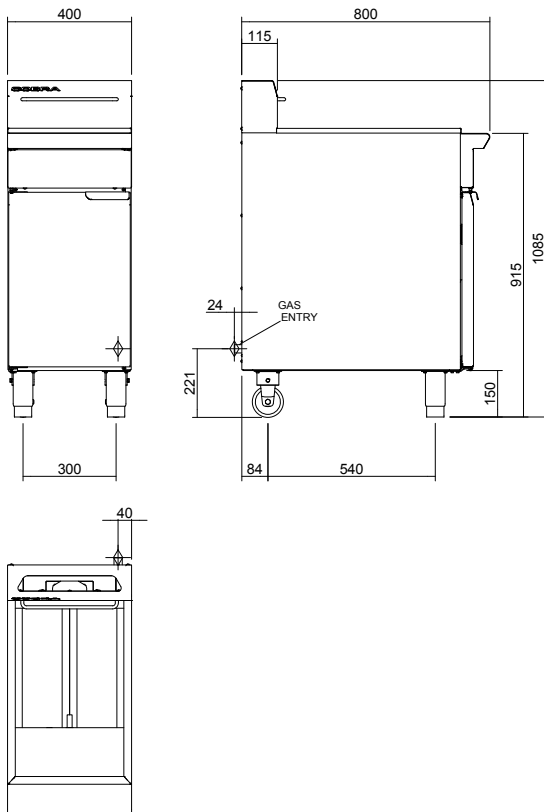
CP4



CS9 / C900-S

CF2

400mm Single Pan Gas Fryer



CF2

SPECIFICATIONS

Burners

Multi-jet target burners

Gas power (gross)

90MJ/hr, 25kW

Pan size

Oil capacity 18L (32lbs shortening)

Width 305mm

Length 380mm

Oil frying depth 95mm

Gas connection

R 3/4 (BSP) male

40mm from RH side, 24mm from rear, and 221mm from floor

Dimensions

Width 400mm

Depth 800mm

Height 915mm

Incl. splashback 1085mm

Nett weight

61kg

Packing data

0.53m³, 76.5kg

Width 900mm

Depth 470mm

Height 1255mm

Gas types

Available in Natural gas and LP gas,

please specify when ordering

Other gas types on request

moffat.com.au

moffat.co.nz

Australia

moffat.com.au

Moffat Pty Limited

Victoria/Tasmania

740 Springvale Road

Mulgrave, Victoria 3170

Telephone +613-9518 3888

Facsimile +613-9518 3833

vsales@moffat.com.au

New South Wales

Telephone +612-8833 4111

nswsales@moffat.com.au

South Australia

Telephone +613-9518 3888

vsales@moffat.com.au

Queensland

Telephone +617-3630 8600

qldsales@moffat.com.au

Western Australia

Telephone +618-9413 2400

wasales@moffat.com.au

New Zealand

moffat.co.nz

Moffat Limited

Rolleston

45 Illinois Drive

Izone Business Hub

Rolleston 7675

Telephone +64 3-983 6600

Facsimile +64 3-983 6660

sales@moffat.co.nz

Auckland

Telephone +64 9-574 3150

sales@moffat.co.nz



ISO9001

Quality

Management

Standard

Designed and manufactured by



ISO9001

All Cobra products are designed and

manufactured by Moffat using the

internationally recognised ISO9001

quality management system,

covering design, manufacture and

final inspection, ensuring consistent

high quality at all times.

In line with policy to continually develop and improve its products, Moffat Limited reserves the right to change specifications and design without notice.

© Copyright Moffat Ltd
AN.C.01.19 / 1598



Cert. No. AGA 6882G

an Ali Group Company



The Spirit of Excellence